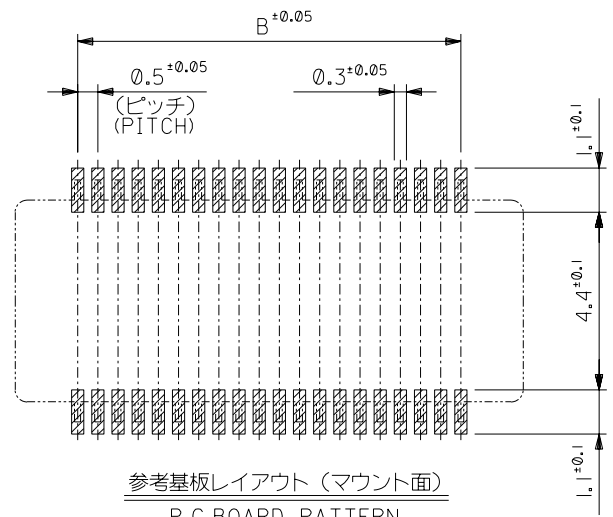
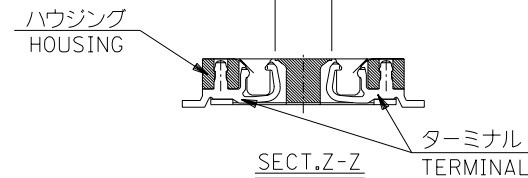
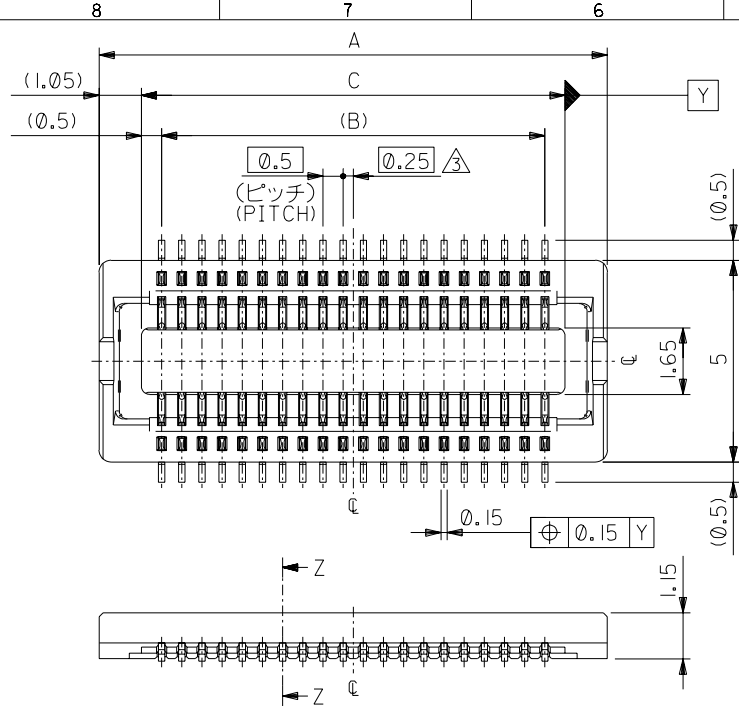


DWG. NO. SD-54722-007



参考基板レイアウト (マウント面)
P.C.BOARD PATTERN
DIMENSION. (REF.)
(MOUNTING AREA)

30極以下品形状
SHAPE OF 30 CIRCUITS OR LESS

注記 NOTES:

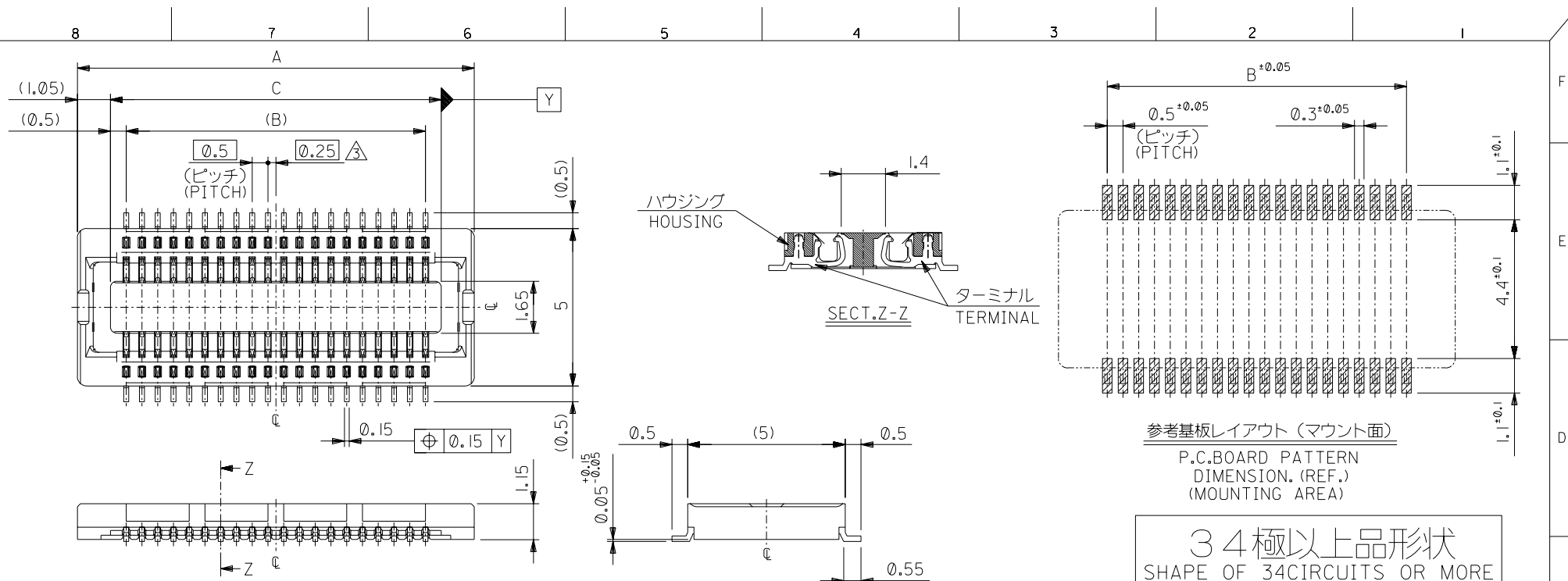
- 使用材料 MATERIAL
ハウジング: 液晶ポリマー ガラス充填, UL94V-0 (黒)
HOUSING: LIQUID CRYSTAL POLYMER (GLASS FILLED)
UL94V-0, (COLOR: BLACK)
ターミナル: リン青銅 (t=0.15)
TERMINAL: PHOSPHOR BRONZE (t=0.15)
- メッキ仕様 PLATING
金メッキ 0.25 MICROMETER MINIMUM (コンタクト部)
GOLD 0.25 MICROMETER MINIMUM. (CONTACT AREA)
金メッキ 0.4 MICROMETER MAXIMUM (テール部)
GOLD 0.4 MICROMETER MAXIMUM. (TAIL AREA)
下地メッキ: ニッケルメッキ 1.5 MICROMETER MINIMUM
UNDER PLATING: NICKEL 1.5 MICROMETER MINIMUM

- △3 (全極数/2) = 偶数の場合に適用。
APPLY FOR (CIRCUIT/2)=EVEN.
4 嵌合相手: 55560 シリーズ, 53794 シリーズ
MATE WITH: 55560 SERIES, 53794 SERIES.
5 テール平坦度は, 0.1 MAXIMUM.
TAIL COPLANARITY TO BE 0.1 MAXIMUM.

8.0	7.0	10.1	54722-0301	30
6.5	5.5	8.6	54722-0241	24
6.0	5.0	8.1	54722-0221	22
5.5	4.5	7.6	54722-0201	20
4.5	3.5	6.6	54722-0161	16
C	B	A	MATERIAL. NO	極数 CIRCUIT

DO NOT SCALE DRAWING

②64NO. DRAWN: CH'K: APPR:	②63NO. DRAWN: CH'K: APPR:	REVISED	②61NO. J2003-1929 DRAWN: T.YASUI '03/1/23 CH'K: T.IITO APPR: T.IITO	②60NO. J2003-1468 DRAWN: T.YASUI '02/11/25 CH'K: T.IITO APPR: T.YAMAGUCHI	MATERIAL 材料 注記参照 SEE NOTES	GENERAL TOLERANCES: (UNLESS SPECIFIED) 一般公差	SCALE 1/1 DESIGN UNITS <input checked="" type="checkbox"/> mm <input type="checkbox"/> INCH	②62NO. J2003-2517 DRAWN: S.AIHARA '03/03/31 CH'K: M.SASAO APPR: M.SASAO	②61NO. J2003-1929 DRAWN: T.YASUI '03/1/23 CH'K: T.IITO APPR: T.IITO	②60NO. J2003-1468 DRAWN: T.YASUI '02/11/25 CH'K: T.IITO APPR: T.YAMAGUCHI	DESCRIPTION	WIRE RANGE 適用線径範囲	INS. RANGE 被覆外径	FINISH 仕上げ —	WIRE RANGE 適用線径範囲 —	INS. RANGE 被覆外径 —	MODEL NO. 54722-*** DIMENSIONS: SHT REV ② REVERSE ON CAD ONLY	DRAWN BY & DATE S.AIHARA '00/10/5 CHECKED BY & DATE M.SASAO '03/03/31 APPROVED BY & DATE M.SASAO '03/03/31 CAD FILENAME 54722007.S01	TITLE: 0.5 B-To-B Conn Rec HOUSING Assy (Hgt=1.5mm)	MOLEX MOLEX INCORPORATED	MATERIAL NO. SEE CHART	DRAWING NO. SD-54722-007	SHEET NO. 1 OF 2	SIZE B	②6888 DRAWING CONTAINS INFORMATION THAT IS PROPRIETARY TO MOLEX INCORPORATED AND SHOULD NOT BE USED WITHOUT WRITTEN PERMISSION.
		G																							



34極以上品形状
SHAPE OF 34CIRCUITS OR MORE

注記 NOTES:

1. 使用材料 MATERIAL
 ハウジング: 液晶ポリマー ガラス充填, UL94V-0 (黒)
 HOUSING: LIQUID CRYSTAL POLYMER (GLASS FILLED)
 UL94V-0, (COLOR: BLACK)
 ターミナル: リン青銅 (t=0.15)
 TERMINAL: PHOSPHOR BRONZE (t=0.15)
2. メッキ仕様 PLATING
 金メッキ 0.25 MICROMETER MINIMUM (コンタクト部)
 GOLD 0.25 MICROMETER MINIMUM. (CONTACT AREA)
 金メッキ 0.4 MICROMETER MAXIMUM (テール部)
 GOLD 0.4 MICROMETER MAXIMUM. (TAIL AREA)
 下地メッキ: ニッケルメッキ 1.5 MICROMETER MINIMUM
 UNDER PLATING : NICKEL 1.5 MICROMETER MINIMUM

- △ (全極数/2) = 偶数の場合に適用。
 APPLY FOR (CIRCUIT/2)=EVEN.
 4 嵌合相手: 55560 シリーズ, 53794 シリーズ
 MATE WITH : 55560 SERIES, 53794 SERIES.
 5 テール平坦度は、0.1 MAXIMUM.
 TAIL COPLANARITY TO BE 0.1 MAXIMUM.

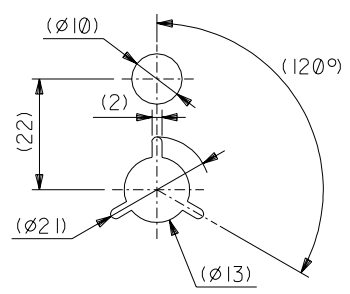
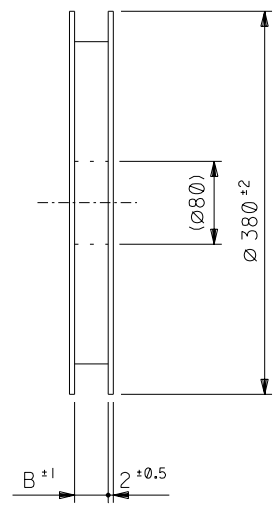
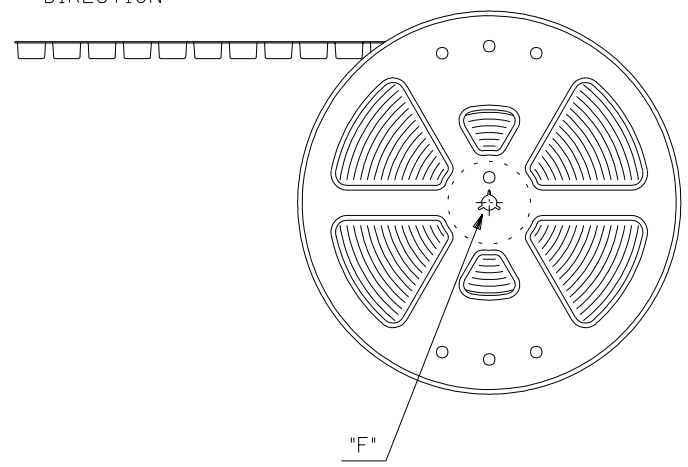
20.5	19.5	22.6	54722-080I	80
15.5	14.5	17.6	54722-060I	60
13.0	12.0	15.1	54722-050I	50
12.0	11.0	14.1	54722-046I	46
10.5	9.5	12.6	54722-040I	40
9.0	8.0	11.1	54722-034I	34
C	B	A	MATERIAL. NO	極数 CIRCUIT

DO NOT SCALE DRAWING

64 NO. DRWN: CH'K: APPR:	63 NO. DRWN: CH'K: APPR:	62 NO. DRWN: CH'K: APPR:	61 NO. DRWN: CH'K: APPR:	REVISED 60 NO. J2003-2517 DRWN: S.AIHARA '02/03/31 CH'K: M.SASAO APPR: M.SASAO	MATERIAL 材料 注記参照 SEE NOTES	GENERAL TOLERANCES: (UNLESS SPECIFIED) 一般公差 10 UNDER 未満 ±0.2 10 OVER 以上 30 UNDER 未満 ±0.25 30 OVER 以上 ±0.3 ANGLE 角度 ±3°	SCALE 1/1 DESIGN UNITS mm INCH DRAWN BY & DATE S.AIHARA '01/02/13 CHECKED BY & DATE M.SASAO '03/03/31 APPROVED BY & DATE M.SASAO '03/03/31 CAD FILENAME 54722007.S02	DIMENSIONS: mm INCH SHOT ANGLE PROJECTION TITLE: 0.5 B-To-B Conn Rec HOUSING Assy (Hgt=1.5mm) MOLEX INCORPORATED	SHEET NO. 2 OF 2 SIZE B
-----------------------------	-----------------------------	-----------------------------	-----------------------------	--	----------------------------------	--	---	---	----------------------------

DWG. NO. SD-54722-008

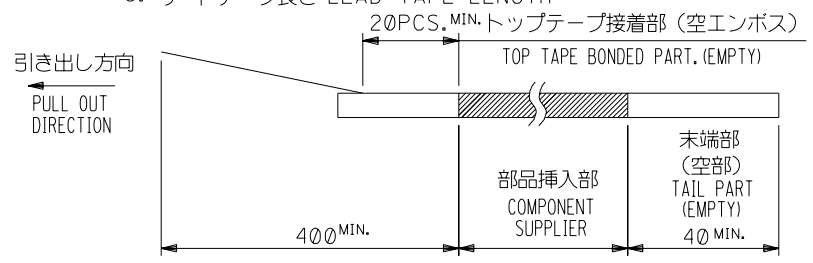
引き出し方向
PULL OUT DIRECTION



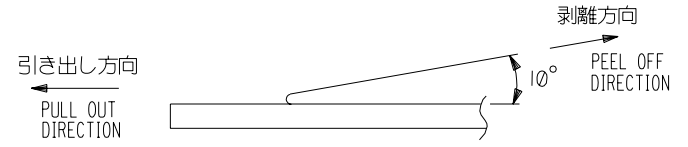
DETAIL "F"

注記 NOTES

- 製品詳細寸法については図面 SD-54722-007 を参照下さい。
RE DETAILED DIMENSION, SEE SD-54722-007
- 梱包数量：3000個/リール
NUMBER OF CONNECTORS：3000PCS/REEL
- リードテープ長さ LEAD TAPE LENGTH



- トップテープの剥離強度：0.1N ~ 0.7N(10.2gf ~ 71.4gf)
(剥離方向は下図参照)
尚、本規格値は出荷時に適用。(但し、輸送時に剥離が発生しないこと。)
PEELING OFF FORCE OF TOP TAPE：0.1N ~ 0.7N(10.2gf ~ 71.4gf)
(PEELING DIRECTION AS SHOWN IN FOLLOWING FIG.)
THIS REQUIREMENT SHOULD BE APPLIED AT SHIPMENT.
PEEL OFF SHOULD NOT BE ALLOWED, DURING TRANSPORTATION.



- 材料
キャリアテープ：ポリプロピレン (PP)
トップテープ：PET, PE, PEF
リール：ポリスチレン (PS) <リサイクル材を含む>

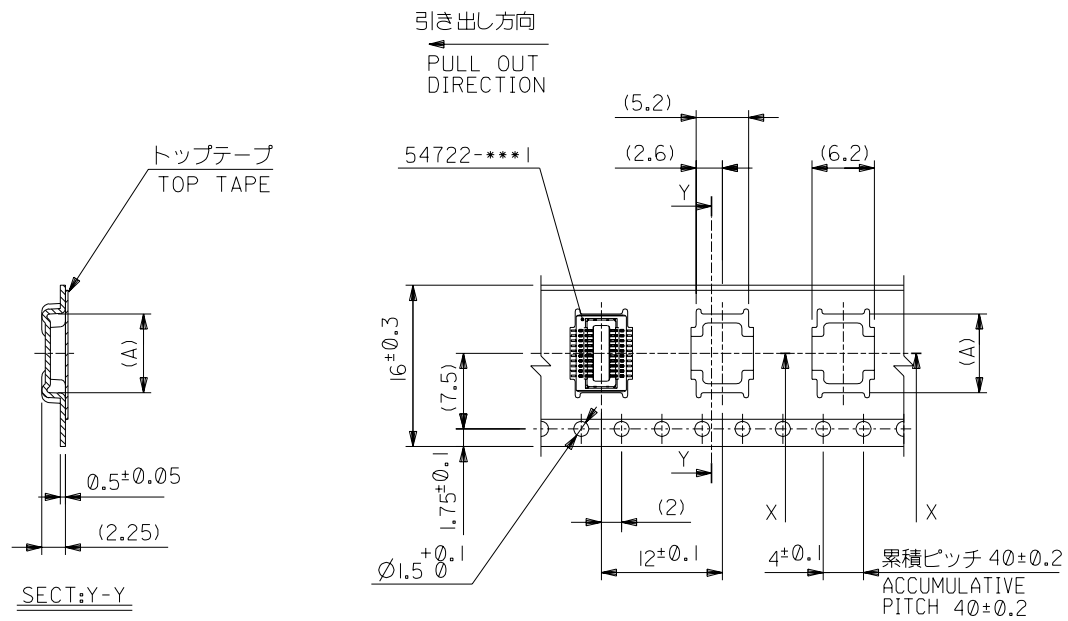
MATERIAL CARRIER TAPE: POLYPROPYLENE
TOP TAPE: PET, PE, PEF
REEL: POLYSTYRENE (PS)
<RECYCLE MATERIAL CONTAINED>

DO NOT SCALE DRAWING

EC NO. DRAWN: CHK'K: APPR:	REVISED EC NO. J2004-1680 DRAWN: K.SETO '03/12/22 CHK'K: H.TAKASE APPR: J.MIYAZAWA	REVISED EC NO. J2003-2517 DRAWN: S.AIHARA '03/03/31 CHK'K: M.SASAO APPR: M.SASAO	REVISED EC NO. J2003-1929 DRAWN: T.YASUI '03/11/23 CHK'K: T.IIO APPR: T.IIO	REVISED EC NO. J2003-1468 DRAWN: T.YASUI '02/11/25 CHK'K: T.IIO APPR: T.YAMAGUCHI	MATERIAL 材料 注記参照 SEE NOTES	GENERAL TOLERANCES: (UNLESS SPECIFIED) 一般公差	SCALE //	MODEL NO. 54722-***7	DIMENSIONS: <input type="checkbox"/> mm <input type="checkbox"/> INCH <input checked="" type="checkbox"/> mm ONLY	SHT	REV
	H	G	F	E	FINISH 仕上げ //	10 UNDER 未満 ±0.2	DRAWN BY & DATE S.AIHARA '00/10/16	DESIGN UNITS <input checked="" type="checkbox"/> mm <input type="checkbox"/> INCH	THIRD ANGLE PROJECTION <input type="checkbox"/> mm <input type="checkbox"/> INCH	TITLE: 0.5 B-To-B Conn Rec Assy (Hgt=1.5) Embstp Pkg	
					WIRE RANGE 適用層線範囲 //	10 OVER 30 UNDER 未満 ±0.25	CHECKED BY & DATE M.SASAO '03/03/31	MATERIAL NO. SEE CHART		DRAWING NO. SD-54722-008	
					INS. RANGE 被覆外径 //	30 OVER 以上 ±0.3	APPROVED BY & DATE M.SASAO '03/03/31	MATERIAL NO. SEE CHART		DRAWING NO. SD-54722-008	
						ANGLE 角度 ±3°	CAD FILENAME 54722008.S01	MATERIAL NO. SEE CHART		DRAWING NO. SD-54722-008	
THIS DRAWING CONTAINS INFORMATION THAT IS PROPRIETARY TO MOLEX INCORPORATED AND SHOULD NOT BE USED WITHOUT WRITTEN PERMISSION.										SIZE B	REVISE ON CAD ONLY

54722008.S01

8 7 6 5 4 3 2 1



16mm幅キャリアテープ
16mm WIDTH CARRIER TAPE

16	17.5	7.8	54722-0207	20
キャリアテープ幅 CARRIER TAPE WIDTH		B	(A)	極数 CIRCUIT
MODEL NO.		54722-***7		DIMENSIONS: <input type="checkbox"/> mm <input type="checkbox"/> INCH <input checked="" type="checkbox"/> mm ONLY
				SHT REV REVISE ON CAD ONLY

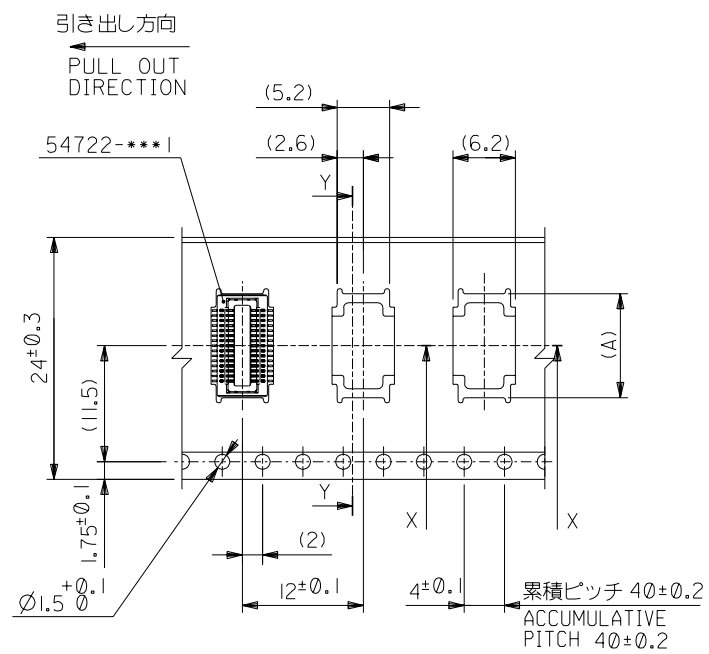
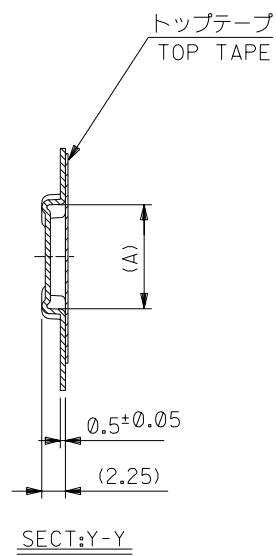
EC NO. DRAWN: CHK'G: APPR:	REVISED EC NO. J2004-1680 DRAWN: K.SETO '03/12/22 CHK'G: H.TAKASE APPR: J.MIYAZAWA	REVISED EC NO. J2003-2517 DRAWN: S.AIHARA '03/03/31 CHK'G: M.SASAO APPR: M.SASAO	REVISED EC NO. J2003-1929 DRAWN: T.YASUI '03/11/23 CHK'G: T.IITO APPR: T.IITO	REVISED EC NO. J2003-1468 DRAWN: T.YASUI '02/11/25 CHK'G: T.IITO APPR: T.YAMAGUCHI
EC NO.	H	G	F	E

MATERIAL 材料	SHEET 1 OF 5 参照 REFER TO SHEET 1 OF 5		
FINISH 仕上げ	//		
WIRE RANGE 適用層線範囲	//		
INS. RANGE 被覆外径	//		

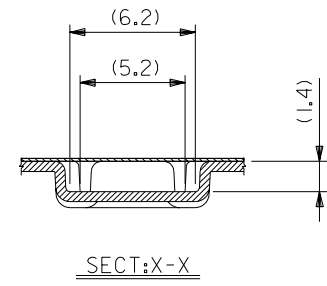
GENERAL TOLERANCES: (UNLESS SPECIFIED) 一般公差	SCALE //	DESIGN UNITS <input checked="" type="checkbox"/> mm <input type="checkbox"/> INCH	THIRD ANGLE PROJECTION <input checked="" type="checkbox"/> THIRD ANGLE
10 UNDER 未満	±0.2	DRAWN BY & DATE S.AIHARA '00/10/ 6	
10 OVER 以上	±0.25	CHECKED BY & DATE M.SASAO '03/03/31	
30 OVER 以上	±0.3	APPROVED BY & DATE M.SASAO '03/03/31	
ANGLE 角度	±3°	CAD FILENAME 54722008.S02	

TITLE: 0.5 B-To-B Conn Rec Assy (Hgt=1.5) Embstp Pkg			
MATERIAL NO. SEE CHART		DRAWING NO. SD-54722-008	
SHEET NO. 2 OF 5		MATERIAL NO. 54722008.S02	
THIS DRAWING CONTAINS INFORMATION THAT IS PROPRIETARY TO MOLEX INCORPORATED AND SHOULD NOT BE USED WITHOUT WRITTEN PERMISSION.			
			SIZE B

8 7 6 5 4 3 2 1



24mm幅キャリアテープ
24mm WIDTH CARRIER TAPE



24	25.5	15.3	54722-0507	50	
		14.3	54722-0467	46	
		12.8	54722-0407	40	
		11.3	54722-0347	34	
		10.3	54722-0307	30	
		8.8	54722-0247	24	
		8.3	54722-0227	22	
キャリアテープ幅 CARRIER TAPE WIDTH		B	(A)	MATERIAL NO.	極数 CIRCUIT
MODEL NO.		54722-***7		DIMENSIONS: <input type="checkbox"/> mm <input type="checkbox"/> INCH <input checked="" type="checkbox"/> mm ONLY	
				SHT	REV

EC NO.	REVISED	SHEET 1 OF 5 参照 REFER TO SHEET 1 OF 5	
DRWN: K.SETO '03/12/22	EC NO. J2004-1680	FINISH 仕上げ	//
CHK: H.TAKASE	DRWN: S.AIHARA '03/03/31	WIRE RANGE 適用層線範囲	//
APPR: J.MIYAZAWA	CHK: M.SASAO	INS. RANGE 被覆外径	//
	APPR: M.SASAO		
	EC NO. J2003-1929		
	DRWN: T.YASUI '03/11/23		
	CHK: T.IIO		
	APPR: T.IIO		
	EC NO. J2003-1468		
	DRWN: T.YASUI '02/11/25		
	CHK: T.IIO		
	APPR: T.YAMAGUCHI		

GENERAL TOLERANCES: (UNLESS SPECIFIED) 一般公差		SCALE	DESIGN UNITS	THIRD ANGLE PROJECTION	TITLE:
10 UNDER 未満	±0.2	//	<input checked="" type="checkbox"/> mm <input type="checkbox"/> INCH	<input checked="" type="checkbox"/> THIRD ANGLE PROJECTION	0.5 B-To-B Conn Rec Assy (Hgt=1.5) Embstp Pkg
10 OVER 以上 30 UNDER 未満	±0.25				
30 OVER 以上	±0.3				
ANGLE 角度	±3°				MATERIAL NO. SEE CHART

DRAWN BY & DATE S.AIHARA '00/10/ 6	MATERIAL NO. DRAWING NO. SHEET NO.
CHECKED BY & DATE M.SASAO '03/03/31	
APPROVED BY & DATE M.SASAO '03/03/31	
CAD FILENAME 54722008.S03	
THIS DRAWING CONTAINS INFORMATION THAT IS PROPRIETARY TO MOLEX INCORPORATED AND SHOULD NOT BE USED WITHOUT WRITTEN PERMISSION.	
SIZE B	EN-02J(097) MXJ-54

8 7 6 5 4 3 2 1

DWG. NO. SD-54722-008

F

D

C

B

DO NOT SCALE DRAWING

8 7 6 5 4 3 2 1

F

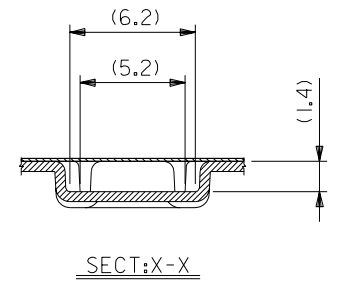
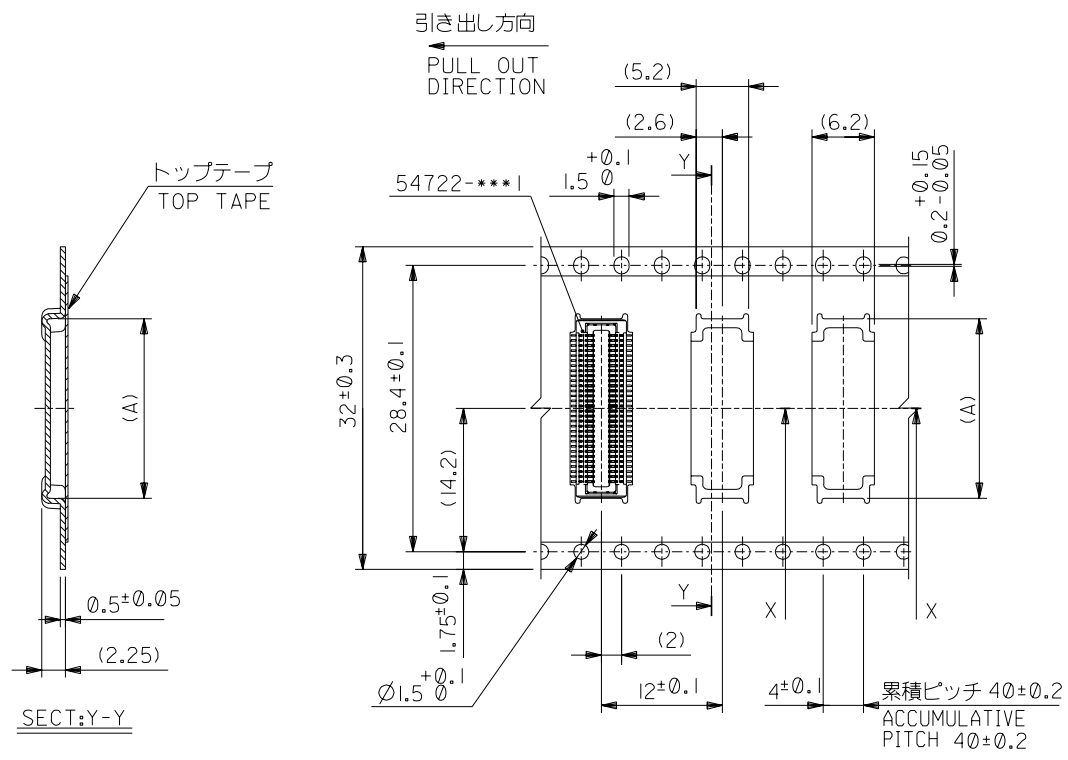
E

D

C

B

A



32mm幅キャリアテープ
32mm WIDTH CARRIER TAPE

32	33.5	17.8	54722-0607	60
キャリアテープ幅 CARRIER TAPE WIDTH		B	(A)	極数 CIRCUIT
MODEL NO.		54722-***7		DIMENSIONS:

SCALE	DESIGN UNITS	THIRD ANGLE PROJECTION	SHT	REV
///	mm <input checked="" type="checkbox"/> INCH <input type="checkbox"/>	<input type="checkbox"/> mm ONLY <input checked="" type="checkbox"/>	REVISION	DATE

DRAWN BY & DATE	TITLE:
T.YASUI '02/11/25	0.5 B-To-B Conn Rec Assy
CHECKED BY & DATE	(Hgt=1.5) Embstp Pkg
M.SASAO '03/03/31	

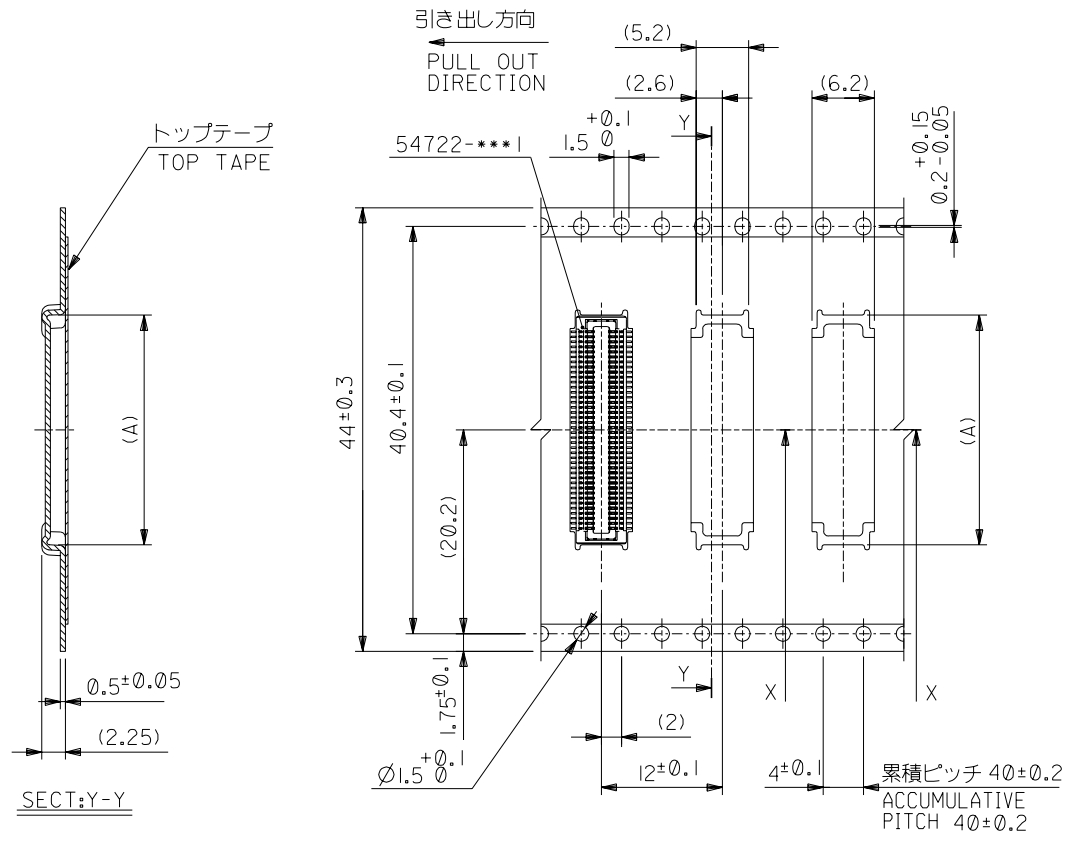
APPROVED BY & DATE	MATERIAL NO.	DRAWING NO.	SHEET NO.
M.SASAO '03/03/31	54722008.S05	SD-54722-008	4 OF 5

THIS DRAWING CONTAINS INFORMATION THAT IS PROPRIETARY TO MOLEX INCORPORATED AND SHOULD NOT BE USED WITHOUT WRITTEN PERMISSION.

EC NO.	REVISED	MATERIAL
DRWN: K.SETO '03/12/22	EC NO. J2004-1680	材料
CHK: H.TAKASE	DRWN: S.AIHARA '03/03/31	SHEET 1 OF 5 参照
APPR: J.MIYAZAWA	CHK: M.SASAO	REFER TO SHEET 1 OF 5
	APPR: M.SASAO	
	REVISED	FINISH
	EC NO. J2003-1929	仕上げ
	DRWN: T.YASUI '03/11/23	//
	CHK: T.IITO	
	APPR: T.IITO	
	REVISED	WIRE RANGE
	EC NO. J2003-1468	適用 線径範囲
	DRWN: T.YASUI '02/11/25	//
	CHK: T.IITO	
	APPR: T.YAMAGUCHI	
	REVISED	INS. RANGE
	EC NO. J2003-1468	被覆 外径
	DRWN: T.YASUI '02/11/25	//
	CHK: T.IITO	
	APPR: T.YAMAGUCHI	

8 7 6 5 4 3 2 1

DWG. NO. SD-54722-008



44mm幅キャリアテープ
44mm WIDTH CARRIER TAPE

44	45.5	22.8	54722-0807	80
キャリアテープ幅 CARRIER TAPE WIDTH		B	(A)	極数 CIRCUIT
MODEL NO.		54722-***7		DIMENSIONS: <input type="checkbox"/> mm <input type="checkbox"/> INCH <input checked="" type="checkbox"/> mm ONLY
				SHT REV REVISION ON CAD ONLY

EC NO.	REVISED				
DRWN: K.SETO '03/12/22	EC NO. J2004-1680				
CHK: H.TAKASE	DRWN: S.AIHARA '03/03/31				
APPR: J.MIYAZAWA	CHK: M.SASAO				
	APPR: M.SASAO				
	REVISED				
	EC NO. J2003-1929				
	DRWN: T.YASUI '03/11/23				
	CHK: T.IITO				
	APPR: T.IITO				
	REVISED				
	EC NO. J2003-1468				
	DRWN: T.YASUI '02/11/25				
	CHK: T.IITO				
	APPR: T.YAMAGUCHI				

MATERIAL 材料	SHEET 1 OF 5 参照 REFER TO SHEET 1 OF 5	
FINISH 仕上げ	//	
WIRE RANGE 適用線径範囲	//	
INS. RANGE 被覆外径	//	

GENERAL TOLERANCES: (UNLESS SPECIFIED) 一般公差	SCALE 1:1	DESIGN UNITS <input checked="" type="checkbox"/> mm <input type="checkbox"/> INCH	THIRD ANGLE PROJECTION <input checked="" type="checkbox"/> THIRD ANGLE
10 UNDER 未満	±0.2		
10 OVER 以上 30 UNDER 未満	±0.25		
30 OVER 以上	±0.3		
ANGLE 角度	±3°		

DRAWN BY & DATE T.YASUI '02/03/06		TITLE: 0.5 B-To-B Conn Rec Assy (Hgt=1.5) Embstp Pkg	
CHECKED BY & DATE M.SASAO '03/03/31		MATERIAL NO. DRAWING NO. SEE CHART SD-54722-008	
APPROVED BY & DATE M.SASAO '03/03/31		SHEET NO. 5 OF 5	
CAD FILENAME 54722008.S04		MATERIAL NO. DRAWING NO. SEE CHART SD-54722-008	
THIS DRAWING CONTAINS INFORMATION THAT IS PROPRIETARY TO MOLEX INCORPORATED AND SHOULD NOT BE USED WITHOUT WRITTEN PERMISSION.			
			SIZE B

DO NOT SCALE DRAWING